



SEL-2664 Field Ground Module

Prevent Catastrophic Generator Failure



Minimize generator damage with field ground monitoring.



SEL-2664 and SEL-300G with SEL-2812 fiber-optic communications link.

Features and Benefits

■ Plug-In Compatibility With SEL-300G

Designed to work with the SEL-300G Generator Protection Relay to provide complete generator protection. Add the SEL-2664 to the SEL-300G to protect all the critical components in your generator.

■ Continuously Measure Field-to-Ground Resistance

Protect your generator from excessive starting stress by detecting field ground faults prior to start-up. Continuously monitor resistance to ground during operation.

■ Eliminate Noise and Ground Potentials

Avoid potentially hazardous voltages from a high-voltage dc field to the relay or relay panel using digital fiber-optic communication of resistance values from the SEL-2664. Eliminate tedious calibrations and variations common when using analog signals to the relay.

■ No Settings in the Field Ground Module

The field ground module is ready to connect to your generator field right out of the box. Simply turn on the 64F element, and set the port, alarm, and trip values in the SEL-300G. acSELERATOR® QuickSet SEL-5030 Software makes it quick and easy.

Making Electric Power Safer, More Reliable, and More Economical®

SEL-2664 Field Ground Module

Functional Overview

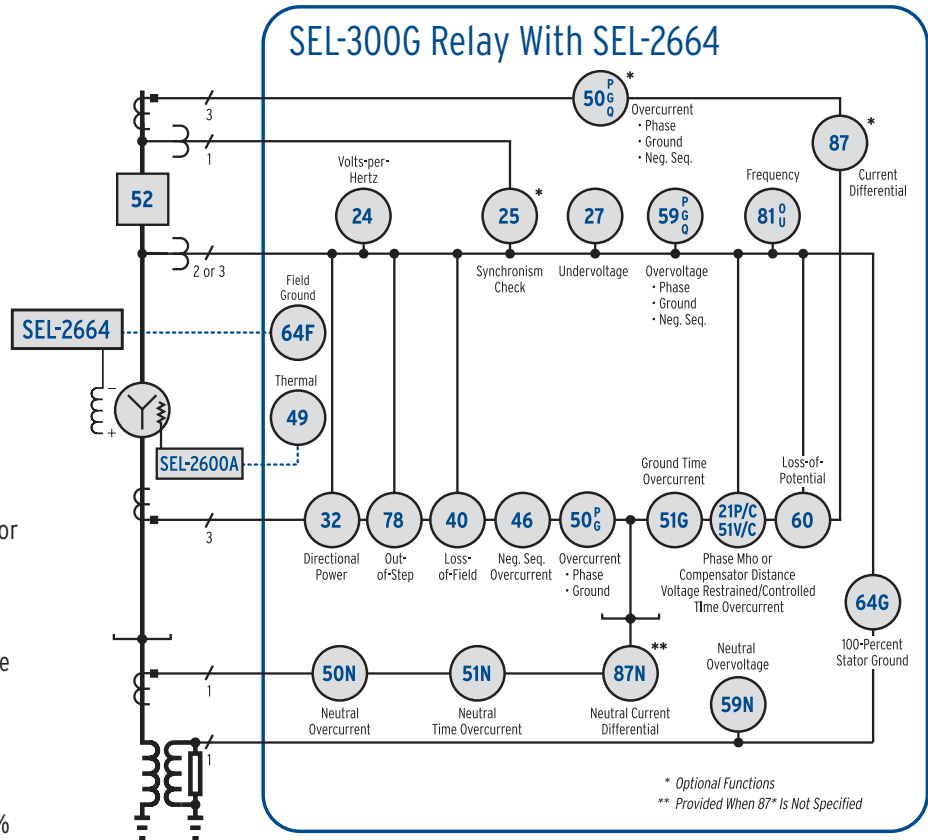
Use the SEL-2664 with the SEL-300G to provide a complete generator protection package.

SEL-300G provides comprehensive generator protection:

- One-hundred percent stator ground fault protection
- Current differential protection
- Out-of-step protection
- Overexcitation detection
- Directional power elements
- RTD-based protection with the SEL-2600A or SEL-2600D RTD Modules
- Metering and reporting

SEL-2664 provides additional protection and monitoring:

- Accurate protection, even when the generator is not running
- Ground monitoring on field circuits from 60 to 825 Vdc continuous
- Complete isolation using fiber-optic interface to the SEL-300G, resulting in no high-voltage connections to the panel
- Easy setup with zero settings in the field ground module
- Best-in-class accuracy at 500 ohms and $\pm 5\%$
- Best-in-class operating temperature from -40° to $+85^{\circ}\text{C}$



General Specifications

DC Voltage Inputs

60–750 Vdc $\pm 10\%$ field circuit continuous operating range
1500 Vdc for 60 seconds, 0.5 A continuous

Steady-State Accuracy

64F pickup up to 200 k Ω
 $\pm 5\% \pm 500 \Omega$ for $48 \leq VF \leq 825$ Vdc
 $\pm 5\% \pm 20$ k Ω for $825 \leq VF \leq 1500$ Vdc

Metering up to 20 M Ω

Class 1 Laser Product

IEC 60825-1: 1993+A1: 1997+A2: 2001

Power Supply Ratings

Nominal Input Voltage

24–250 Vdc

110–240 Vac (50/60 Hz)

Input Voltage Range

18–300 Vdc

85–264 Vac

Operating Temperature

Relay module -40° to $+85^{\circ}\text{C}$ (-40° to $+185^{\circ}\text{F}$)

Commitment to Quality

Schweitzer Engineering Laboratories, Inc. is committed to quality. Our certification to the ISO 9001 quality standard and our worldwide, ten-year product warranty are examples of this commitment. We encourage and appreciate your feedback about the use of SEL equipment, and we will use this information to continually improve our products and services.



© 2006 by Schweitzer Engineering Laboratories, Inc. All rights reserved. All brand or product names appearing in this document are the trademark or registered trademark of their respective holders. No SEL trademarks may be used without written permission. SEL products appearing in this document may be covered by US and Foreign patents. PF00129 - 20060510



2350 NE Hopkins Court • Pullman, WA 99163-5603 USA
Tel: 509.332.1890 • Fax: 509.332.7990 • Email: info@selinc.com
www.selinc.com • www.selindustrial.com

Making Electric Power Safer, More Reliable, and More Economical®